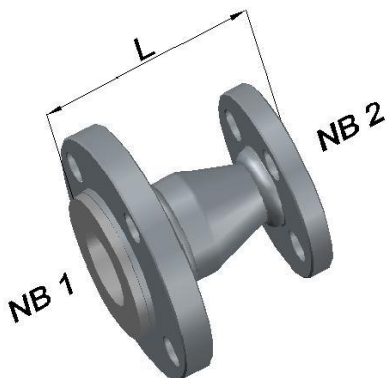


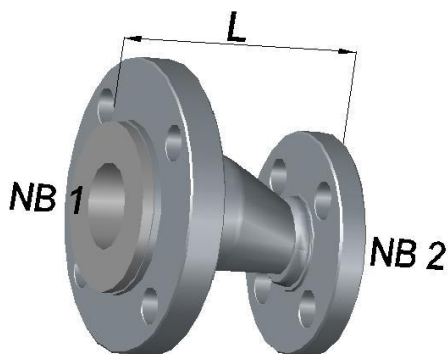
## LINED REDUCERS & SPEC BLIND

### CONCENTRIC REDUCER



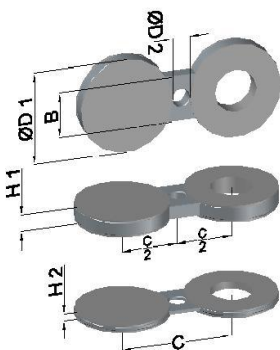
| NB1<br>#150 | NB2<br>#150 | L<br>mm | Ecc Off-ctr<br>mm | Wt<br>kg |
|-------------|-------------|---------|-------------------|----------|
| 1"          | ½"          | 114     | 3.4               | 1.6      |
| 1           | ¾"          | 114     | 3.4               | 1.8      |
| 1½"         | ½"          | 114     | 10                | 2.3      |
| 1½"         | ¾"          | 114     | 10                | 2.5      |
| 1½"         | 1"          | 114     | 7.0               | 2.9      |
| 2"          | ¾"          | 127     | 4.6               | 3.5      |
| 2"          | 1"          | 127     | 13                | 3.9      |
| 2"          | 1½"         | 127     | 5.7               | 4.6      |
| 3"          | 1½"         | 152     | 20                | 7.2      |
| 3"          | 2"          | 152     | 14                | 8.2      |
| 4"          | 1½"         | 178     | 32                | 9.5      |
| 4"          | 2"          | 178     | 26                | 10.5     |
| 4"          | 3"          | 178     | 13                | 13.1     |
| 6"          | 3"          | 229     | 40                | 17.6     |
| 6"          | 4"          | 229     | 26                | 19.9     |
| 8"          | 4"          | 279     | 52                | 28.5     |
| 8"          | 6"          | 279     | 25                | 32.6     |
| 10"         | 4"          | 305     | 76                | 35.7     |
| 10"         | 6"          | 305     | 52                | 40.0     |
| 10"         | 8"          | 305     | 27                | 47.6     |
| 12"         | 6"          | 356     | 75                | 53.1     |
| 12"         | 8"          | 356     | 51                | 61.2     |
| 12"         | 10"         | 356     | 26                | 67.7     |

### ECCENTRIC REDUCER



Picture for illustration only, type of steel fabrication varies

### SPECTACLE BLANK



| NB<br>#150 | D1<br>mm | D2<br>mm | B<br>mm | C<br>mm | H1<br>mm | Wt<br>kg | H2<br>mm |
|------------|----------|----------|---------|---------|----------|----------|----------|
| ½"         | 44       | 16       | 35      | 60      | 14       | 0.2      | 8        |
| ¾"         | 53       | 16       | 35      | 70      | 14       | 0.2      | 8        |
| 1"         | 63       | 16       | 35      | 78      | 14       | 0.3      | 8        |
| 1½"        | 82       | 16       | 50      | 98      | 14       | 0.4      | 8        |
| 2"         | 101      | 19       | 50      | 121     | 14       | 0.6      | 8        |
| 3"         | 133      | 19       | 60      | 152     | 14       | 0.9      | 8        |
| 4"         | 171      | 19       | 50      | 191     | 18       | 1.6      | 10       |
| 6"         | 219      | 22       | 60      | 241     | 18       | 3.7      | 10       |
| 8"         | 276      | 22       | 70      | 298     | 21       | 5.6      |          |
| 10"        | 336      | 26       | 65      | 362     | 21       | 10.7     |          |
| 12"        | 406      | 26       | 70      | 432     | 23       | 15.5     |          |